



AGGM

Austrian Gas Grid Management AG

2024 - Manual

Choose Grid Operator

AGGM Platform



Choose Grid Operator

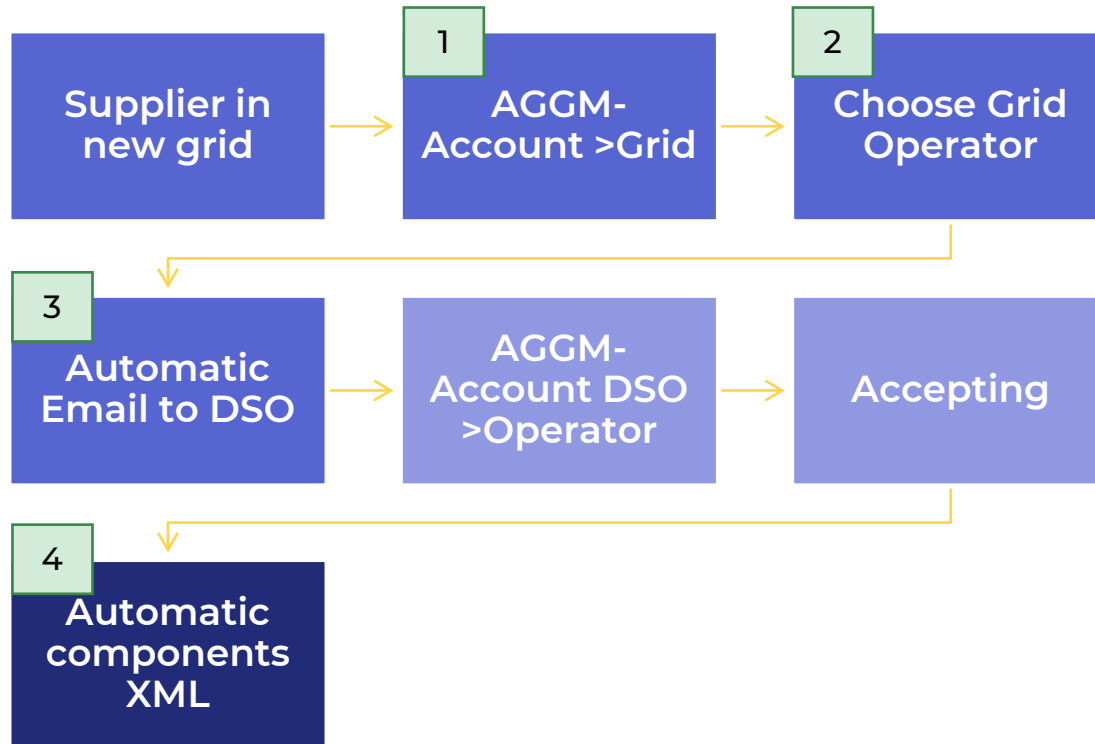
General Information

- ▶ DSOs transmit the supplier aggregates to AGGM using IDs. These form the basis for numerous gas industry data.
- ▶ Suppliers conclude a bilateral contract with DSOs.
- ▶ Suppliers must register in the network.



Choose Grid Operator

Overview procedure



Choose Grid Operator

1 AGGM-Account Form

- ▶ A list of all existing assignments to distribution system operators (DSO) is displayed under Admin area >Administration >Network. The information includes the DSO X code, company name, the status of the assignment and the validity.

Grid

[Choose grid](#)


Operator X-Code	Company	Status	Assignment valid from	Assignment valid to
25X-l	GmbH	ok	01/01/2013	31/12/4000


Choose Grid Operator

2 Choose Grid Operator

Choose grid

Operator *

Assignment valid from * 

Assignment valid to * 

Cancel Submit

- ▶ The form for selecting the DSO opens:
 - ▶ DSO: Search for company name or X-code
 - ▶ Allocation valid from / valid to: the correct validity date must be entered here.

If the date is in the past, the DSO user must accept the application on the same gas day. Otherwise, the application will expire and must be resubmitted.

Choose Grid Operator

3 DSO User

- ▶ After submitting the request, the main user of the DSO is notified by email.
- ▶ In the Admin Area > Administration > Operator the supplier can be accepted.
- ▶ The validity can be edited or adjusted.

Choose Grid Operator

4 Creation of components

- ▶ After the request has been accepted, the components are automatically created per supplier account and per quality.
- ▶ The components are provided to the DSO via XML format. Download is possible in the AGGM account under Operator.



Contact

**AGGM Austrian Gas
Grid Management AG**

Peak Vienna
Floridsdorfer Hauptstraße 1
1210 Wien, Österreich

Market Area Manager

marktgebietsmanager@aggm.at



Abonnieren Sie unseren [Newsletter!](#)

Nehmen Sie an unserem [Competence Center Training](#) teil!